

TRANSEQUIP

Trusted name in Transformer Industry

APPLICATION

This indicator is suitable for oil filled Power Transformers and Oil Storage Tanks. Indicator continuously reads level inside the conservator and operates a Micro Switch when oil level drops near Empty level mark.

CONSTRUCTION & WORKING

The indicator has Aluminium body with built in flange for mounting. Two numbers powerful Alnico magnets fitted one each on either side of non magnetic metallic wall transfer float movement to cam and pointer. Thin metallic wall partition prevents leakage of oil into Dial / Switch chamber, and contaminated air into oil conservator. Float movement due to rise and fall of oil level inside conservator vessel gives rotary motion to Driving Magnet through Bevel Gear coupling and in turn to Driven Magnet through powerful magnetic coupling. Indicator Pointer and Cam are rigidly fixed on shaft of Driven Magnet Cam actuates Micro Switch. The pointer indicates oil contents and Micro switch operates Alarm at predetermined oil level. Float, Gears, Driving Magnet etc. go inside the conservator vessel, whereas other parts like Driven Magnet, Pointer, Dial, Micro switch etc are outside the conservator vessel. The body of indicator with dial and switch is sealed to avoid entry of moist air. Hence switch is not accessible for resetting or servicing.

SPECIFICATIONS

Liquid in tank : Transformer oil and other oil.
Temperature : 0 to 100 Deg. Centigrade of oil.
Pressure : 0 to 4 Kg/cm².
Environment : Indoor or Outdoor.
Pointer movement : 300 Deg. Maximum (with 40/12 teeth Gear Pinion). Float movement 90 Deg. max.
Dial : 150 mm Dia. / 100 mm Dia nominal, with Black marking on White background.
Switch : Micro switch, contact rating 5A-240V AC, 0.25A-240V DC.
Float : Brass Sheet 24 swg thick, brazed by special technique for perfect leakproofness. Float Arm Threaded Brass / Aluminium rod.

MOUNTING

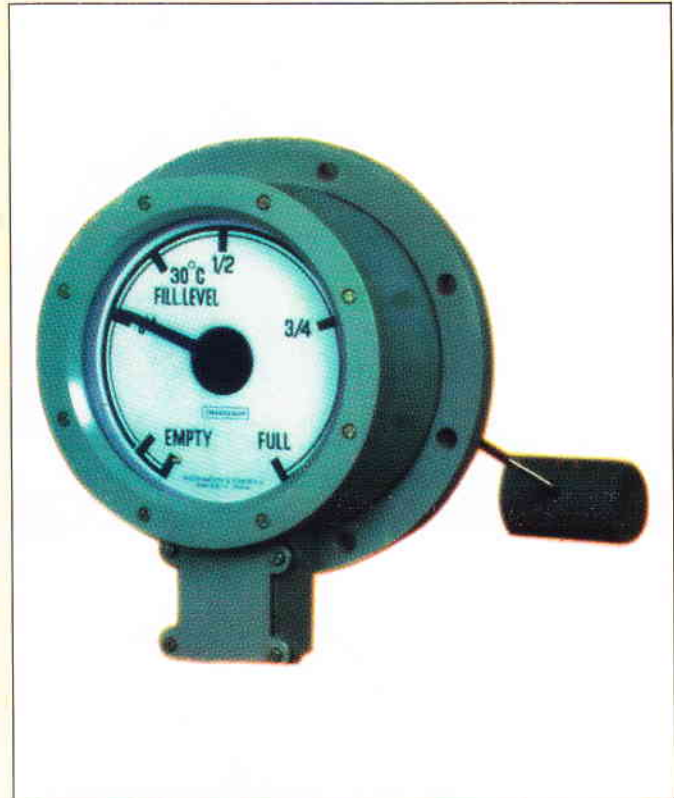
To mount indicator, buyer is required to provide a pad as shown in figure. Position can be selected on vertical wall of conservator/tank depending on importance of oil level readings and switching near Empty level.

CALIBRATION

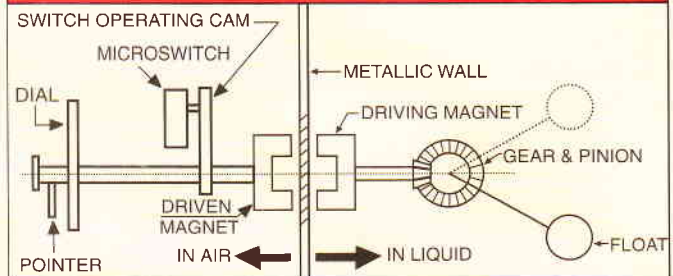
Dial is calibrated and marked as per user's requirement. Generally, we provide calibrated dial markings like Empty 1/4, 1/2, 3/4 Full as shown in picture. If required other dial markings can be given for bulk order, but a drawing showing heights of oil levels inside the conservator at corresponding markings on dial should be made available. Minimum margin of 65 mm should be left beyond limit markings (like Empty and Full) to avoid striking of float on conservator wall. Calibration in any unit is possible.

OIL LEVEL INDICATOR

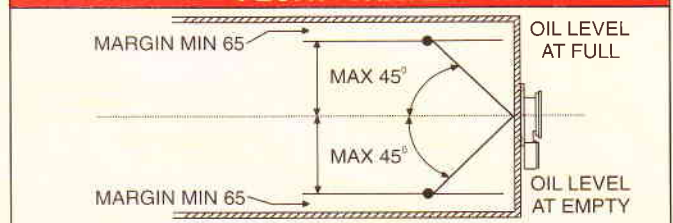
MODEL:SO-6 (150mm)/SO-4 (100mm)



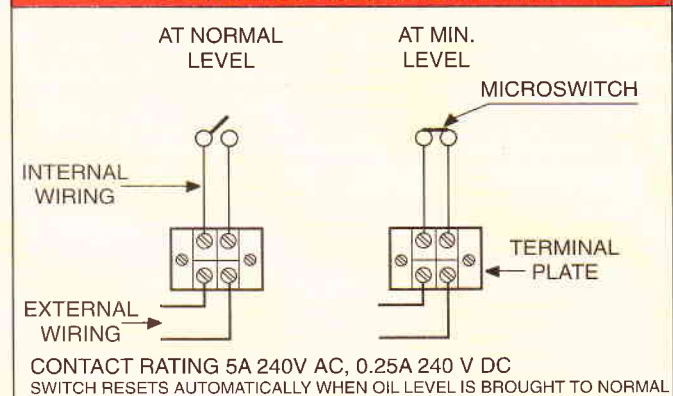
SCHEMATIC



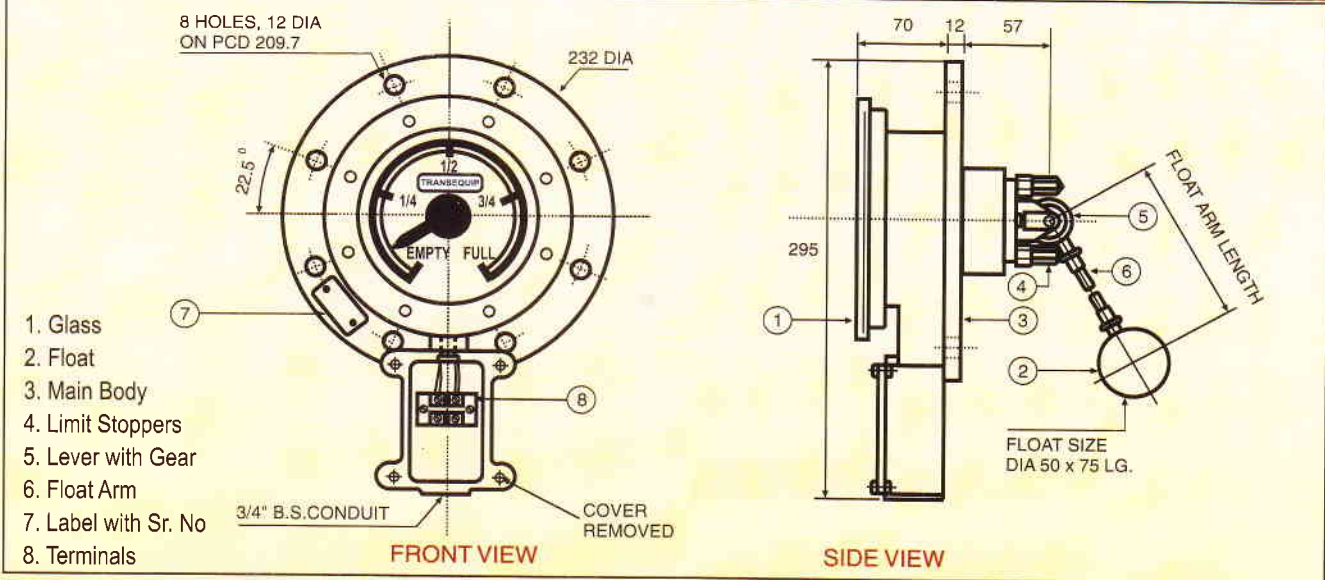
FLOAT TRAVEL



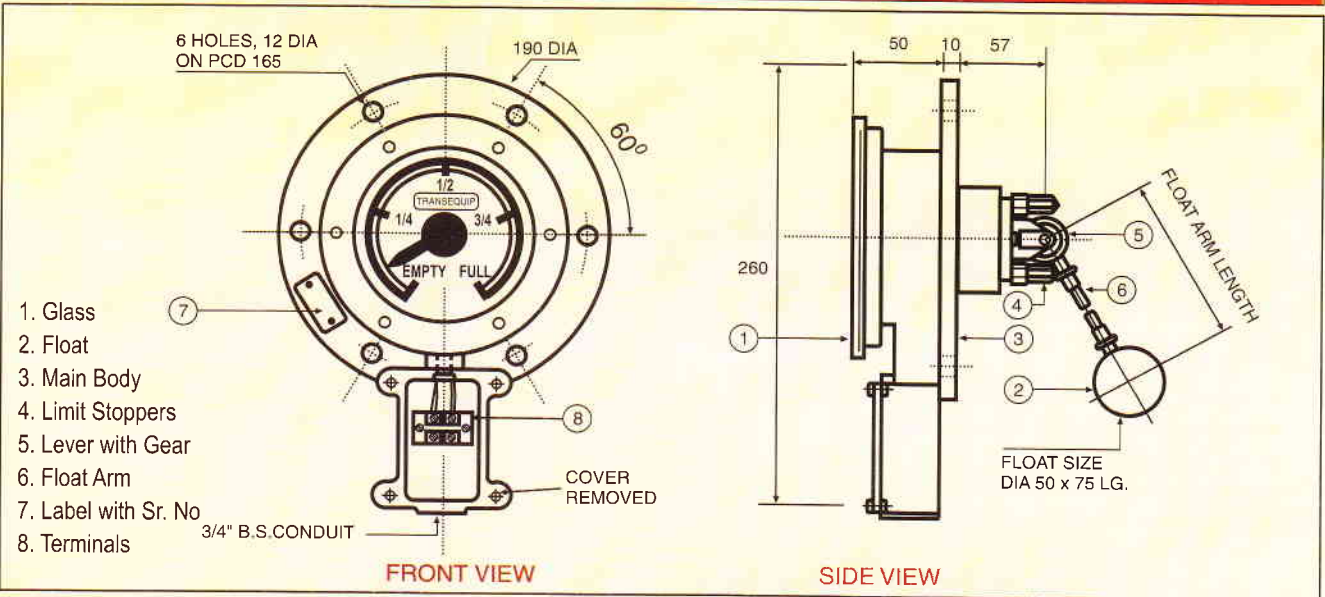
SWITCH CONTACT POSITION



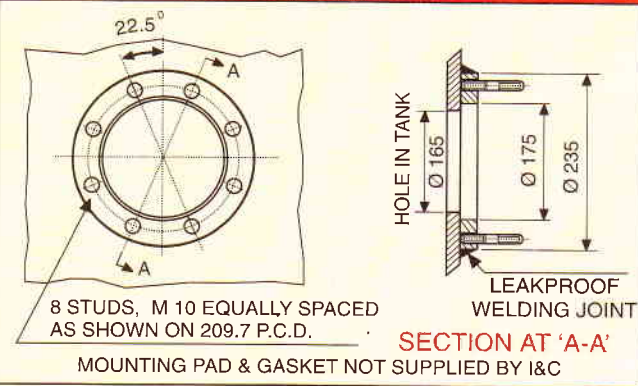
OIL LEVEL INDICATOR MODEL: SO - 6



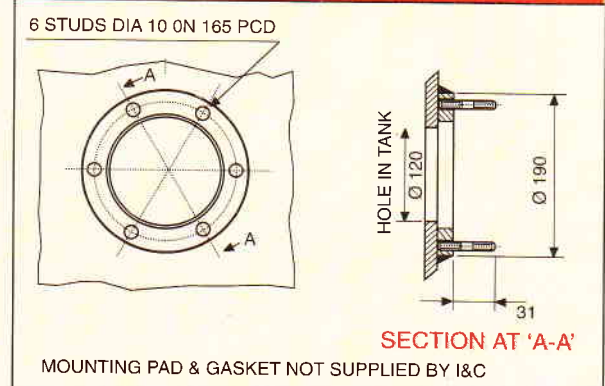
OIL LEVEL INDICATOR MODEL: SO - 4



MOUNTING PAD SO-6



MOUNTING PAD SO-4



NOTE : Due to policy of continuous product improvement, dimensions and design are subject to change.

INSTRUMENTS & CONTROLS

146, GIDC ESTATE, MAKARPURA, VADODARA-390 010. (INDIA)

PHONE : (0265) 2642729 / 2652189 • FAX : (0265) 2642729 • E-Mail : instrumentsncontrols@gmail.com